

Varispeed G5/F7/G7 OPTION CARD
PG SPEED CONTROLLER CARD PG-X2
INSTRUCTIONS

Upon receipt of the product and prior to initial operation, read these instructions thoroughly and retain them for future reference.



Copyright © 2004 YASKAWA ELECTRIC CORPORATION

All rights reserved. No part of this publication may be reproduced, stored in a retrieval system, or transmitted, in any form, or by any means, mechanical, electronic, photocopying, recording, or otherwise, without the prior written permission of Yaskawa. No patent liability is assumed with respect to the use of the information contained herein. Moreover, because Yaskawa is constantly striving to improve its high-quality products, the information contained in this manual is subject to change without notice. Every precaution has been taken in the preparation of this manual. Nevertheless, Yaskawa assumes no responsibility for errors or omissions. Neither is any liability assumed for damages resulting from the use of the information contained in this publication.

NOTES FOR SAFE OPERATION

Before installation, operation, maintenance or inspection of this option, a technically qualified individual who is familiar with this type of equipment and the hazards involved should read this entire manual thoroughly. In this manual, the NOTES FOR SAFE OPERATION are classified as “CAUTION”.



Indicates a potentially hazardous situation that, if not avoided, may result in minor or moderate injury to personnel and damage equipment.

Failure to heed notices labeled with  may result in dangerous situations or equipment damage.



Steps to be taken to insure proper operation and to avoid malfunctions.

CAUTION

- The option card uses a CMOS IC chip. It may break if touched by bare fingers because of static electricity. Be careful when handling.
- When removing the option card from the drive for transportation or storage, the card should be placed in the anti-static package it was received in.
- DO NOT alter wiring or connect or disconnect connectors while equipment power is ON.

Failure to observe these cautions may result in injury or equipment damage!



Before use,

1. Before installing the Encoder (PG) Feedback Card (the PG-X2 card), read this manual and the manual for the installation of the drive.
 2. Before connecting the PG-X2 card or external terminals, turn OFF the main power to the drive and verify that the CHARGE indicator lamp of the Drive is OFF.
 3. When ordering the PG-X2 card, specify the product type and code number.
-

Contents

NOTES FOR SAFE OPERATION	3
1 Inspection after Delivery	5
2 Introduction and Component Names	6
3 Installation Procedure	7
3.1 Before Installation	7
3.2 Drive Installation Procedure	7
4 Interconnection	9
5 Wiring	10
5.1 Terminal Functions	10
5.2 Wiring Precautions	11
6 Application of Encoder (PG)	13
7 PG-X2 Card Parameter List	14
Revision History	

1 Inspection after Delivery

 **CAUTION**

- Verify that the products received are the products ordered.
Installation of incorrect product may lead to injury or damage.

Prior to shipment, all Yaskawa products undergo rigorous inspection procedures to ensure accuracy and reliability. We recommend checking the following items upon receipt.

- Check that the code number (73600-A015X) and product type (PG-X2) labeled on the actual card correspond to product ordered.
- Check for damage or shortage caused during transportation.

Report any material or manufacturing defects on the card to your Yaskawa representative.

2 Introduction and Component Names

The Encoder (PG) Feedback Card (hereafter referred to the PG-X2 card) is mounted on the drive's control board to provide speed and direction feedback. The drive's control logic can use this information for purposes such as correcting for speed fluctuation caused by motor slip and maintaining the velocity.

Using standard software, the PG-X2 card can be used for closed loop control (Flux Vector or V/F with PG). Standard software does not utilize the marker (C or Z) pulse from the encoder.

The PG-X2 card is compatible with the G5, F7 and G7 Yaskawa drives.

Name	Code No.	Functions
PG speed controller card PG-X2	73600-A015X	<ul style="list-style-type: none"> • Applicable to RS-422 output PG • Phase A and phase B pulse (2-phase pulse) inputs for vector control • Maximum input PG frequency: 300 kHz • Pulse monitor output: RS-422 output

The external appearance and component names are shown in *Fig. 1*

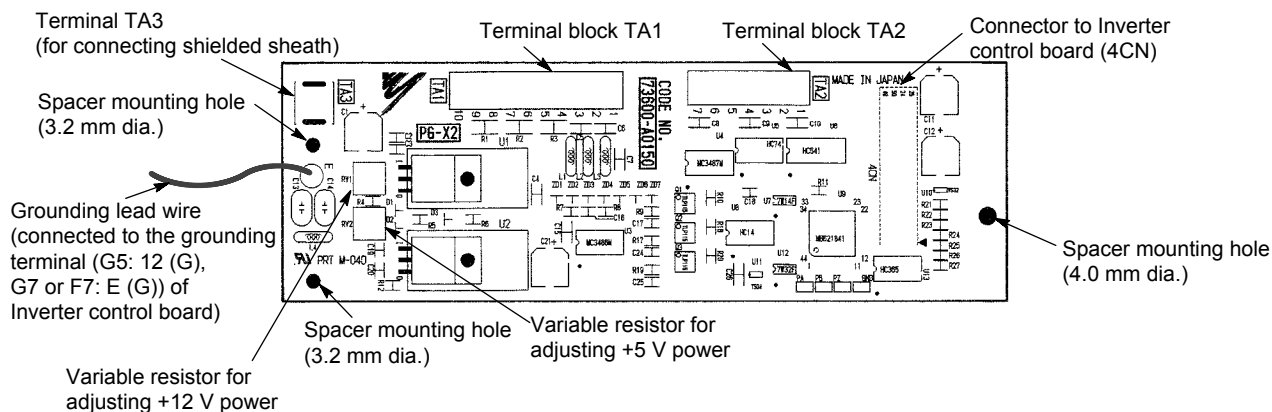


Fig. 1 Encoder (PG) Feedback Card (PG-X2)

3 Installation Procedure

3.1 Before Installation

Remove contents from package and verify that a mounting spacer (code number SRNT41028-9) is included with the PG-X2 card (see *Fig. 2*).

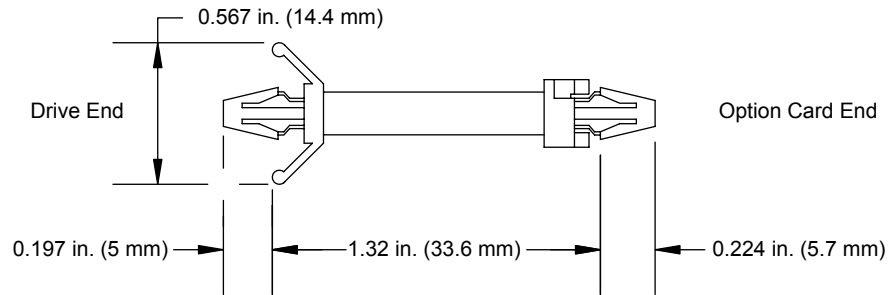
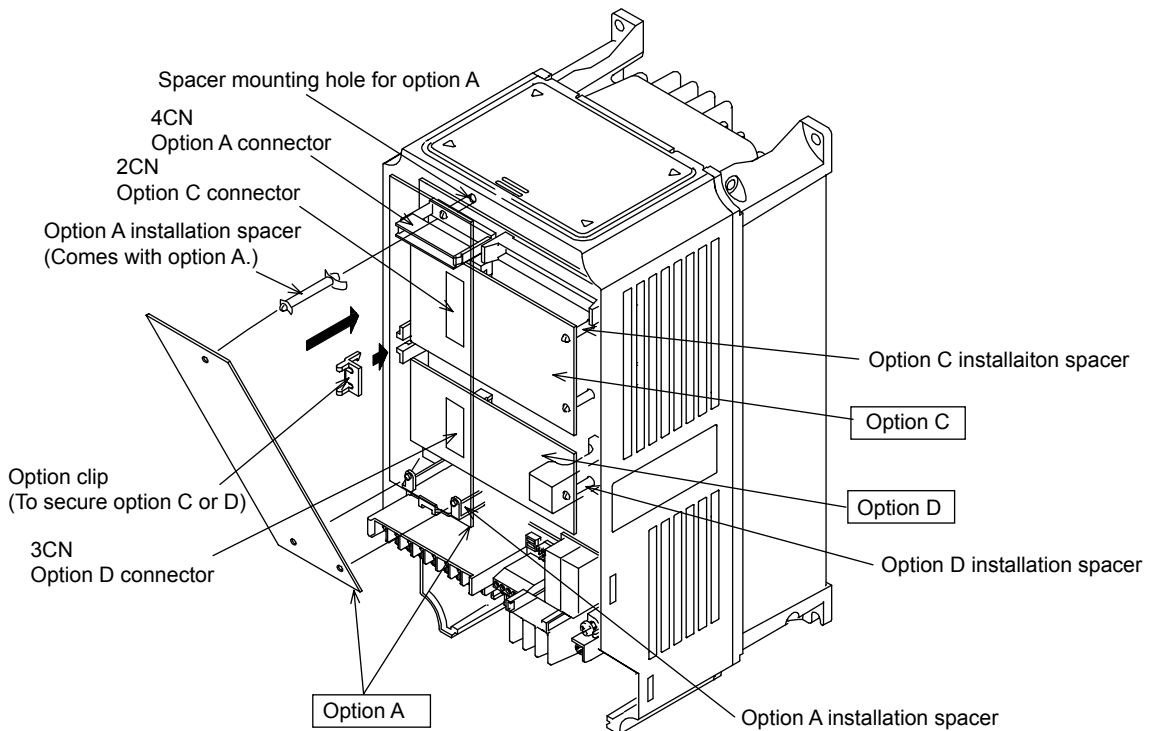
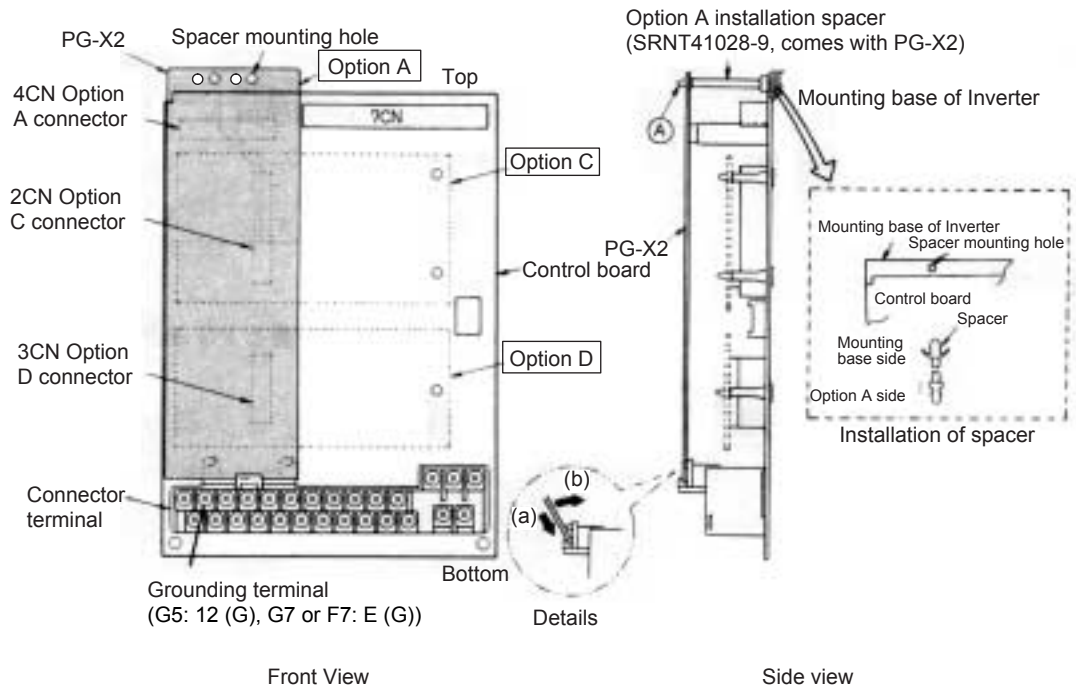


Fig. 2 Spacer

3.2 Drive Installation Procedure

1. Turn OFF the main power and wait for the time specified on the cover of the Drive for voltage to bleed off the DC bus capacitors. Remove the cover and verify that the CHARGE indicator lamp is OFF.
2. Insert the spacer (SRNT41028-9) into the spacer mounting hole in the mounting base of the Drive (see *Fig. 3*). Drive models of 3.7 kW or smaller capacities have two closely spaced mounting holes. Insert the spacer into the hole closest to the 7CN connector on the control board. Insertion of the spacer into the incorrect hole will stack the spacer. Be careful to insert in the proper hole in the proper inserting direction.
3. Align the two holes of the PG-X2 card and projections as shown in the detailed side view, first at location (a) and then at (b), and precisely place the card on the option A connector. Insert the spacer mounted at 2 above into the PG-X2 spacer mounting hole. (See part A of the side view on the next page.)
4. Rotate the top edge of the card down into place, carefully aligning connector 4CN on the back of the card with connector 4CN on the control board.
5. Gently press the card into place until 4CN and the spacer click into place.
6. Connect the grounding lead wire of the PG-X2 card to the grounding terminal (G5: 12 (G), G7 or F7: E (G)) on the control board.

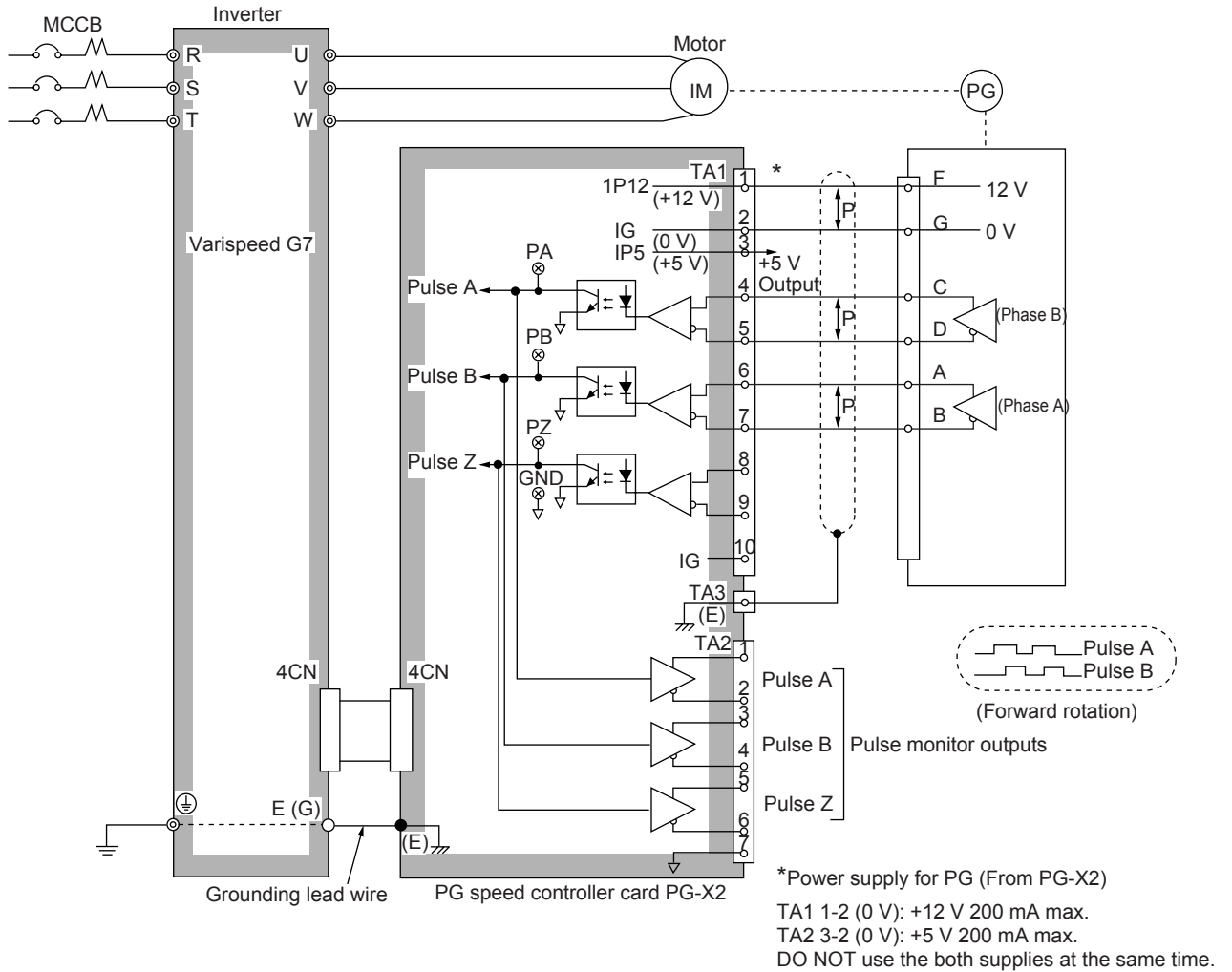


Note: Be sure to remove the option clip before installing the PG-X2 card. If the card is installed with the clip attached, the card cannot be correctly installed, and the card will perform poorly.

Fig. 3 Installation of the PG-X2 Card

4 Interconnection

Fig. 4 shows interconnection between the Drive, the PG-X2 card, and peripheral equipment.



Note: The PG terminal symbols are the examples when using a Yaskawa's motor.

PG type: LMA-□□□BM-□□□ (line-driver output)

Fig. 4 Basic Interconnection Diagram (Example when Used with a G7-series Inverter)

5 Wiring

5.1 Terminal Functions

Table 1 Terminal Functions of PG-X2

Terminal Block Symbol	Pin No.	Functions			
TA1	1	+12 V	Power supply for Encoder (PG) (+12 V, +5 V must not be used at the same time.) +12 V: 200 mA maximum +5 V: 200 mA maximum		
	2	0 V			
	3	5 V			
	4	+	A Pulse	Encoder (Pulse generator, PG) signal input. RS-422 level input.	
	5	-	B Pulse		
	6	+			
	7	-	Z Pulse		
	8	+			
	9	-	Common		
	10	0 V			
TA2	1	+	A Pulse		Pulse monitor output. RS-422 level input.
	2	-	B Pulse		
	3	+			
	4	-	Z Pulse		
	5	+			
	6	-	Common		
	7	SG			
TA3	Shielded sheath connection terminal				

■ PG Signal Output

The PG signal output (phases A and B) may vary according to installation location on the motor. Refer to *Fig. 4* for correct wiring.

In general, motor forward direction is counterclockwise (CCW) as viewed from the load shaft. For YASKAWA's motor, phase A of PG output leads phase B by a phase angle of 90° in clockwise (CW) rotation. According to PG, phase A lags phase B by a phase angle of 90° in clockwise (CW) rotation. In this case, when PG is installed at the opposite drive end, connect phases A and B output from PG to the option card as it is.

For YASKAWA's Inverter motor with PG, PG is installed at the opposite drive end. Then, phase A lags phase B by a phase angle of 90° at motor forward run. (Motor runs CCW as viewed from PG.) Therefore, when using this motor or similar motors, connect phases A and B to the option card after replacing phase output. The pulse monitor on this option shows phase A leading phase B by a phase angle of 90°.

5.2 Wiring Precautions

Make sure of the followings when wiring.



- Separate the control signal wires (terminal blocks TA1 and TA2) of the PG-X2 card from the main circuit wires and other power cables.
- Use a shielded wire to connect the encoder (PG). Connect the wires as shown in *Fig. 5* to prevent noise interference. The wire distance must be 328 ft. (100 m) or less.
- To prevent noise, use shielded wire and separate from heavy current circuits (200 VAC or greater) or relay drive circuits. (Wire length to the PG connector must be 328 ft. (100 m) or less.)
- If the PG signal is affected by noise, disconnect the grounding lead wire (E) from the grounding terminal (G5: 12 (G), G7 or F7: E (G)) of the control board of the Inverter.
- The recommended tightening torque is 0.22 to 0.25 N·m.

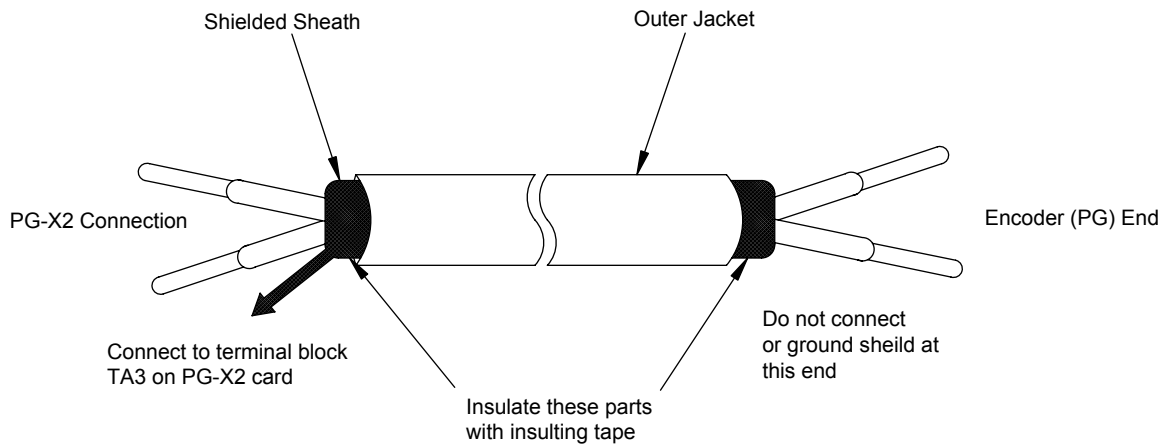


Fig. 5 Shielded Wire Termination

Applicable wire specifications for terminal blocks TA1 and TA2 are shown in *Table 2*.

Terminal: MKDS1 series manufactured by Phoenix Contact GmbH & Co.

Table 2 Wire Specifications

	(mm ²)	AWG	I (amps)	VAC
Thin Twisted Wire	1	16	12	125
Solid Wire	1.5	16	12	125
UL	–	22-16	10	300
CSA	–	28-16	10	300
CSA	–	28-16	10	150

Strip back insulation for a distance of 0.22 inches (5.5 mm) on wire leads connected to the PG-X2 card.

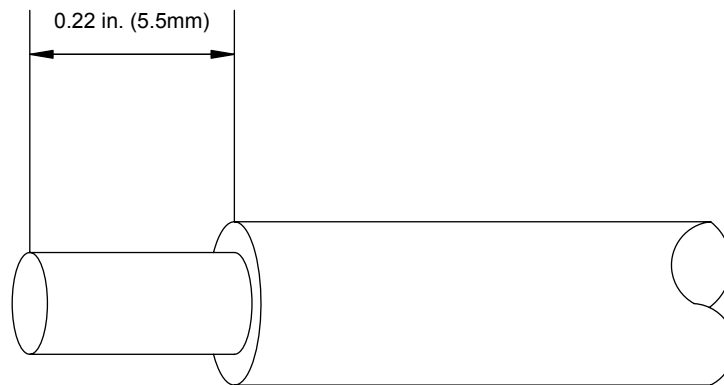


Fig. 6 Connecting Wire End for Terminal Blocks TA1 and TA2 Side

NOTE

■ Notes on selecting cables

- The thicker a cable is, the greater the pressure on the option card and the greater the possibility of a failure occurring will be.
- The thinner a cable is, the poorer the electrical contact and the greater the possibility of the conductor breaking will be.
- The longer the cable is, the more likely a voltage drop in the PG power supply or PG signal will occur.

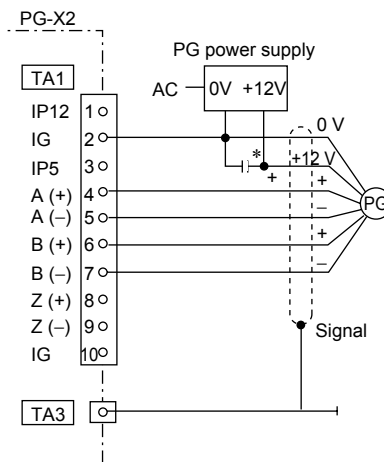
6 Application of Encoder (PG)

The maximum frequency of the encoder (PG) output pulses that can be detected is 300 kHz.

To find the output frequency of your encoder (PG), use the following formula.

$$f_{PG} \text{ (Hz)} = \frac{\text{Motor rotation speed (min}^{-1}\text{) at max. frequency output}}{60} \times \text{Encoder (PG) constant (pulses/rev)}$$

Maximum power available to drive the encoder (PG) with the PG-X2 is 200 mA. Should your encoder (PG) require more than 200 mA, it will be necessary to provide a separate power supply. If momentary power loss ride-through function is necessary, provide backup capacitor or take other necessary measures. See *Fig. 7*.



* Backup capacitor momentary power loss recovery

Fig. 7 Connection Example with Encoder (PG) when Using Separate Power Supply

7 PG-X2 Card Parameter List

If using the PG-B2 card with any Yaskawa drives other than the G5, F7, or G7, refer to the instruction manual of the drive being used.

Table 3 PG-X2 Card Parameter List

PG-X2 Card Parameter List												
Digital Operator Function Group	Digital Operator Display	Parameter No.	Parameter Name	Setting Range	Factory Setting	Change During Operation *1	Data Selection	Control Method *2				
								G5, G7, F7				G7
								V/f Control	V/f w/PG Fdbk	Open loop Vector	Flux Vector *9	Open loop Vector 2
PG Option Setup	PG Pulses/Rev	F1-01	PG constant	0 to 60000	600	×		×	○	×	○	×
	PG Fdbk Loss Sel	F1-02	Operation selection at PG open circuit (PGO)	0 to 3	1	×	0: Ramp to Stop 1: Coast to Stop 2: Fast-Stop 3: Alarm Only	×	○	×	○	×
	PG Over-speed Sel	F1-03	Operation selection at overspeed (OS)	0 to 3	1	×		×	○	×	○	○
	PG Deviation Sel	F1-04	Operation selection at deviation	0 to 3	3	×		×	○	×	○	○
	PG Rotation Sel	F1-05	PG rotation	0,1	0	×	0: Fwd=CCW 1: Fwd=CW	×	○	×	○	×
	PG Output Ratio	F1-06	PG division rate	1 to 132	1	×	Effective with PG-B	×	○	×	○	×
	PG Ramp PI/I Sel	F1-07	Integral value during accel/decel enable/disable	0,1	0	×	0: Disabled 1: Enable	×	○	×	×	×
	PG Overspd Level	F1-08	Overspeed detection level	0 to 120 %	115 %	×		×	○	×	○	○
	PG Overspd Time	F1-09	Overspeed detection delay-time	0 to 2.0 s	0.0 s *3 (1.0 s) *4	×		×	○	×	○	○
	PG Deviate Level	F1-10	Excessive speed deviation detection level	0 to 50 %	10 %	×		×	○	×	○	○
	PG Deviate Time	F1-11	Excessive speed deviation detection delay time	0 to 10 s	0.5 s	×		×	○	×	○	○
	PG# Gear Teeth 1	F1-12	Number of PG gear teeth 1	0 to 1000	0	×		×	○	×	×	×
	PG# Gear Teeth 2	F1-13	Number of PG gear teeth 2	0 to 1000	0	×		×	○	×	×	×
	PGO Detect Time *5	F1-14	PG open-circuit detection time	0 to 10 s	2 s	×		×	○	×	○	×

Table 3 PG-X2 Card Parameter List (cont'd)

PG-X2 Card Parameter List												
Digital Operator Function Group	Digital Operator Display	Parameter No.	Parameter Name	Setting Range	Factory Setting	Change During Operation *1	Data Selection	Control Method *2				
								G5, G7, F7				G7
								V/f Control	V/f w/PG Fdbk	Open loop Vector	Flux Vector *9	Open loop Vector 2
ASR Tuning *6	ASR P Gain 1	C5-01	ASR proportional (P) gain 1	0 to 300.00	20.00 *3 (0.20) *4	○		×	○	×	○	○
	ASR I Time 1	C5-02	ASR integral (I) time 1	0 to 10.000 s	0.500 s *3 (0.200 s) *4	○		×	○	×	○	○
	ASR P Gain 2	C5-03	ASR proportional (P) gain 2	0 to 300.00	20.00 *3 (0.02) *4	○		×	○	×	○	○
	ASR I Time 2	C5-04	ASR integral (I) time 2	0 to 10.000 s	0.500 s *3 (0.050 s) *4	○		×	○	×	○	○
	ASR Limit	C5-05	ASR limit	0.0 to 20 %	5.0 % *4	×		×	○	×	×	×
	ASR Delay Time 1 *8	C5-06	ASR primary delay time 1	0.000 to 0.500 s	0.004 s *3	×		×	×	×	○	○ *3
	ASR Gain SW Freq *8	C5-07	ASR switching frequency	00 to 400.00 Hz	0.0 Hz	×		×	×	×	○	○
	ASR Limit *8	C5-08	ASR integral (I) limit	0 to 400 %	400 %	×		×	×	×	○	○
	ASR Delay Time 2 *7	C5-10	ASR primary delay time 2	0.000 to 0.500 s	0.010 s	×		×	×	×	×	○

* 1. ○ = Enable, × = Disable

* 2. ○ = Setting enable, × = Setting disable

* 3. For flux-vector control

* 4. For V/f with PG feedback control

* 5. For the F7, setting and reference are enabled for the software No. (U1-14) of 1030 or after.

* 6. ASR - Automatic Speed Regulator

* 7. For the G7 only

* 8. If using the flux-vector control with the F7, be sure to use an Inverter with a design revision number of E or later. Versions C or earlier do not support the flux-vector control.

Revision History

The revision dates and numbers of the revised manuals are given on the bottom of the back cover.

MANUAL NO. TOBP C730600 10A

© Printed in Japan December 2004 04-12

Date of
printing

Date of original
publication

Date of Printing	Rev. No.	Section	Revised Content
December 2004	–		New edition that was created by binding together the Japanese version (TO-C736-40.4) and the English version (TOE-C736-40.4) of the VARISPEED-616G5 OPTION CARD PG SPEED CONTROLLER CARD PG-X2 INSTRUCTIONS and by adding information on the Varispeed F7 and the Varispeed G7 Inverters.

Varispeed G5/F7/G7 OPTION CARD PG SPEED CONTROLLER CARD PG-X2 INSTRUCTIONS

IRUMA BUSINESS CENTER

480, Kamifujisawa, Iruma, Saitama 358-8555, Japan
Phone 81-4-2962-5696 Fax 81-4-2962-6138

YASKAWA ELECTRIC AMERICA, INC.

2121 Norman Drive South, Waukegan, IL 60085, U.S.A.
Phone 1-847-887-7000 Fax 1-847-887-7370

MOTOMAN INC. HEADQUARTERS

805 Liberty Lane West Carrollton, OH 45449, U.S.A.
Phone 1-937-847-6200 Fax 1-937-847-6277

YASKAWA ELÉTRICO DO BRASIL COMÉRCIO LTD.A.

Avenida Fagundes Filho, 620 Bairro Saude-Sao Paulo-SP, Brazil CEP: 04304-000
Phone 55-11-5071-2552 Fax 55-11-5581-8795

YASKAWA ELECTRIC EUROPE GmbH

Am Kronberger Hang 2, 65824 Schwalbach, Germany
Phone 49-6196-569-300 Fax 49-6196-569-312

Motoman Robotics Europe AB

Box 504 S38525 Torsås, Sweden
Phone 46-486-48800 Fax 46-486-41410

Motoman Robotec GmbH

Kammerfeldstraße 1, 85391 Allershausen, Germany
Phone 49-8166-90-100 Fax 49-8166-90-103

YASKAWA ELECTRIC UK LTD.

1 Hunt Hill Orchardton Woods Cumbernauld, G68 9LF, United Kingdom
Phone 44-1236-735000 Fax 44-1236-458182

YASKAWA ELECTRIC KOREA CORPORATION

7F, Doore Bldg. 24, Yeoido-dong, Youngdungpo-Ku, Seoul 150-877, Korea
Phone 82-2-784-7844 Fax 82-2-784-8495

YASKAWA ELECTRIC (SINGAPORE) PTE. LTD.

151 Lorong Chuan, #04-01, New Tech Park Singapore 556741, Singapore
Phone 65-6282-3003 Fax 65-6289-3003

YASKAWA ELECTRIC (SHANGHAI) CO., LTD.

No.18 Xizang Zhong Road, Room 1805, Harbour Ring Plaza Shanghai 20000, China
Phone 86-21-5385-2200 Fax 86-21-5385-3299

YATEC ENGINEERING CORPORATION

4F., No.49 Wu Kong 6 Rd, Wu-Ku Industrial Park, Taipei, Taiwan
Phone 886-2-2298-3676 Fax 886-2-2298-3677

YASKAWA ELECTRIC (HK) COMPANY LIMITED

Rm. 2909-10, Hong Kong Plaza, 186-191 Connaught Road West, Hong Kong
Phone 852-2803-2385 Fax 852-2547-5773

BEIJING OFFICE

Room No. 301 Office Building of Beijing International Club, 21
Jianguomenwai Avenue, Beijing 100020, China
Phone 86-10-6532-1850 Fax 86-10-6532-1851

TAIPEI OFFICE

9F, 16, Nanking E. Rd., Sec. 3, Taipei, Taiwan
Phone 886-2-2502-5003 Fax 886-2-2505-1280

SHANGHAI YASKAWA-TONGJI M & E CO., LTD.

27 Hui He Road Shanghai China 200437
Phone 86-21-6553-6060 Fax 86-21-5588-1190

BEIJING YASKAWA BEIKE AUTOMATION ENGINEERING CO., LTD.

30 Xue Yuan Road, Haidian, Beijing P.R. China Post Code: 100083
Phone 86-10-6233-2782 Fax 86-10-6232-1536

SHOUGANG MOTOMAN ROBOT CO., LTD.

7, Yongchang-North Street, Beijing Economic Technological Investment & Development Area,
Beijing 100076, P.R. China
Phone 86-10-6788-0551 Fax 86-10-6788-2878



YASKAWA ELECTRIC CORPORATION

YASKAWA

In the event that the end user of this product is to be the military and said product is to be employed in any weapons systems or the manufacture thereof, the export will fall under the relevant regulations as stipulated in the Foreign Exchange and Foreign Trade Regulations. Therefore, be sure to follow all procedures and submit all relevant documentation according to any and all rules, regulations and laws that may apply. Specifications are subject to change without notice for ongoing product modifications and improvements.

© 2004 YASKAWA ELECTRIC CORPORATION. All rights reserved.

MANUAL NO. TOBP C730600 10A

Printed in Japan December 2004 04-12
04-8⑥