



SOFTSTARTER

User's Manual



ELECTRONICS SOFT-STARTER

User's Manual V2MT01II Rev. I

POWER ELECTRONICS ESPAÑA
C/ Leonardo da Vinci, 24 - 26
46980 · PARQUE TECNOLÓGICO
PATERNA · VALENCIA · ESPAÑA
Tel. +34 96 136 65 57 · Fax. +34 96 131 82 01
Atención al Cliente: 902 40 20 70
www.power-electronics.com



IMPORTANT NOTES

☐ RECEPTION

- V2 soft-starters are carefully tested and perfectly packed before leaving the factory.
- In case of transport damage, notify it to transport agency and to **POWER ELECTRONICS** (+34 96 136 65 57), not later than 24hrs from delivery date.

☐ UNPACKING

- Make sure model and serial number of the soft starter are the same in the box, delivery note and unit.
- Position 1: V2 soft starter.
- Position 2: V2 Technical Manual.

☐ SAFETY

- It is electrician's responsibility to ensure the configuration and installation of the V2 meets the requirements of any site specific, local and national electrical regulations.
- The V2 operates from HIGH VOLTAGE, HIGH ENERGY ELECTRICAL SUPPLIES. Always isolate before servicing.
- Service only by qualified personnel. For any question or enquiry please contact **POWER ELECTRONICS** Technical Department or with your local distributor.
- The V2 contains static sensitive printed circuit boards. Use static safe procedures when handling these boards.

REVISIONS

Date	Revision	Description
September 2006	I	Installation regulations.
June 2005	H	General update. New power and control wiring.
March 2004	G	Add new dimensions for 60 and 75A (IP54) Change DT0048D (Page 11).
March 2003	F	IP54 new range release.
October 2002	D	Jumper 7: Default value Freewheel Stop.
July 2002	B	PCB Change. 00016B. Modify the jumper 9.

INDEX

1. MOUNTING AND WIRING.....	6
1.1. Environmental conditions.	
1.2. IEC Protection.	
1.3. Mounting.	
1.4. Power loss dissipation.	
1.5. Power wiring.	
1.6. Control wiring.	
1.7. Checks before Commissioning.	
2. ELECTRICAL SPECIFICATIONS.....	11
3. DIMENSIONS AND STANDARD RATINGS.....	12
4. CONTROL INPUTS.....	13
4.1. Control terminals.	
4.2. Terminal descriptions.	
5. LED INDICATIONS.....	15
6. POWER PCB JUMPER CONFIGURATION.....	17
7. POTENTIOMETER COMMISSIONING.....	20
8. APPLICATIONS.....	24
9. DECLARATION OF CONFORMITY CE.....	26

1. MOUNTING AND WIRING.

1.1 ENVIRONMENTAL CONDITIONS

1.1.1 IP00 MODEL

The maximum V2 ambient/working temperature is 40°C. It is possible to be operated up to higher temperature of 50°C, by over sizing the soft starter 2% per extra degree.

Example: Motor 15kW, 380V, 30A
Working temperature 50°C.

Soft-Starter required: At 40°C the soft starter required should be a V2030 (30Amps), but at 50°C the soft starter should be oversized a 2% per extra °C. Thus,

$$\begin{aligned} \text{Temperature: } & 10^\circ\text{C}; 2\% \times 10^\circ\text{C means a 20\% oversize:} \\ \mathbf{I_{motor} \times 20\% = 30 \times 1.2 = 36 \text{ Amp}} \end{aligned}$$

Then the soft starter required is a V2045 (@50°C).

1.1.2 IP54 MODEL

The maximum V2 ambient/working temperature is 50°C.

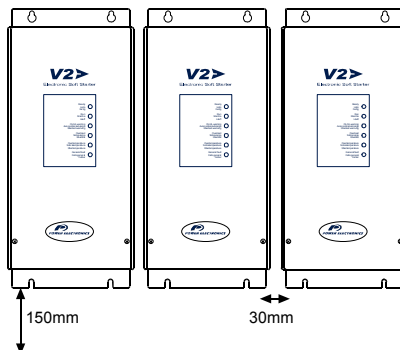
1.2 IEC PROTECTION

The V2 soft-starter ingress protection is IP00 and IP54.

1.3 MOUNTING

To improve heat dissipation, it is recommended to mount the soft starter over a metal plate. Minimum safe 30mm side distance and 150mm top and bottom distance is to be kept between soft starters.

Do not install V2 above any heat source, unless heat airflow is driven out of the cabinet.



DT0055

Fig. 1: Vertical mounting.

1.3.1 IP00 MODEL

The V2 IP00 soft starter is designed to be mounted vertically inside an electrical cabinet with forced air-cooling.

1.3.2 IP54 MODEL

IP54 Model can be mounted within a sealed cabinet if its internal temperature does not exceed 50°C and limiting the number of starts according to its technical specifications.

1.4 POWER LOSS DISSIPATION

1.4.1 IP00 MODEL

The V2 has a power loss of 3 watt per amp, this means that a V2045 has a power loss of 135 Watts at full load.

1) Without forced cooling:

Practical example:

Ambient temperature is 30°C.

Maximum working temperature of the V2 is 40°C.

Power losses of the soft starter are 3 watts per amp at full load and 6 watts per amp during the start (only with more than 6 starts per hour).

If the V2017 is going to be drawing constantly 15A, our power loss must be:

$$P = I_m \times \text{Loss} = 15 \times 3 = 45 \text{ watts}$$

This is the worst case assuming a duty cycle of 100% at full load (45W). You have also to take the losses of switches, contactors, relays into account (20Watts).

$$P_{\text{loss}} = 45 + 20 = 65 \text{ watts}$$

The heat transfer coefficient of metals and polyester must be known:

$$\text{Polyester: } 3.5 \text{ W / m}^2\text{K}^\circ$$

$$\text{Metal: } 5.5 \text{ W / m}^2\text{K}^\circ$$

The total surface required without forced cooling should be:

$$\text{Area} = P_{\text{loss}} / k (\text{Tr}-\text{Ta})$$

$$\text{Area} = 65 / 5.5 \times (40 - 30) = 1.181\text{m}^2$$

Chosen an 800 x 600 x 400 cabinet, the total area of dissipation is:

$$\text{Area} = \text{Door} + 2 (\text{side}) + \text{Top Covers}$$

$$\text{Area} = (0.8 \times 0.6) + 2(0.8 \times 0.4) + (0.6 \times 0.4) = 1.36\text{m}^2$$

The area of the cabinet is high enough to dissipate the total power loss.

NOTE: When you place cabinets in parallel, just take one side (for the total area) into account for thermal calculations.

2) With forced cooling:

The power loss dissipated is the same as without forced cooling, but now you have to calculate the air flow required to get the desired differential temperature between the inside and the outside of the cabinet.

We have a V2017 working at 30°C ambient temperature. We want the air inside the cabinet less than 40°C.

- P_{Loss} = Total power loss dissipated.
- T_r = Maximum temperature inside the cabinet.
- T_a = Ambient temperature.
- \emptyset = Airflow required in m^3/min .

$$\emptyset = P_{Loss} / 20 \times (T_r - T_a)$$

$$\emptyset = 65 / 20 \times (40 - 30) \mathbf{0.325 \text{ m}^3/min}$$

NOTE: Using filters at the air intake/exhaust of the cabinet should protect the V2 from dust.

1.4.2 IP54 MODEL

IP54 range V2 do not need forced cooling as no heat is produced during nominal operation, only start and stop heat is dissipated, thus number of starts is limited to 6 per hour and provided 50°C as maximum working temperature.

1.5 POWER WIRING

Most electrical wiring regulations require a mains isolator on solid-state equipment. The V2 soft-starter falls to this category. This is to ensure there is an air break in the circuit, as semiconductors cannot be relied upon to be safe isolation. There are many choices, the most common are using a magnethermic protection with a trip coil, and the other is placing a contactor.

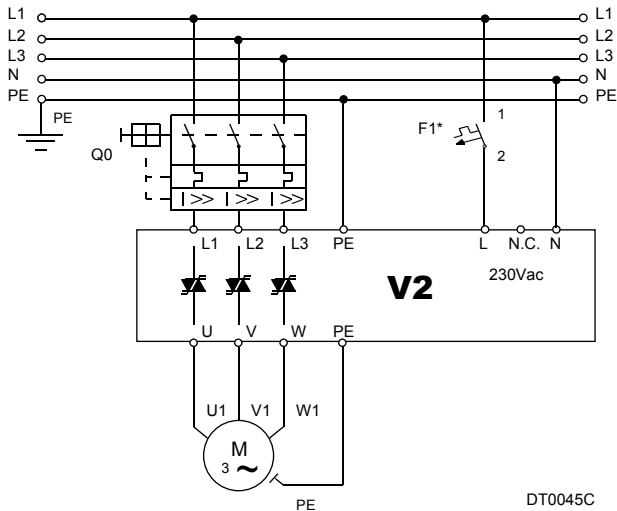


Fig. 2: V2 Power wiring configuration.

Note: Minimum recommended protection 1A for F1.
 It is absolutely necessary that the installer guaranties the correct observance of the law and the regulations that are in force in those countries or areas where this device is going to be installed.

Magnetic protection is required to protect the V2 soft-starter from damage due to a short circuit within the V2 or on the output cabling or motor. When a faster protection was needed, it is recommended ultra fast fuses. The fuses should be mounted as close to the V2 soft-starter as possible. Power factor correction capacitors must not be connected after the fuses or on the output of the V2. The V2 protects the motor with electronic overload sensing, so an external overload relay is not necessary. If multiple motors are connected separate, overloads are required for each motor.

An isolator can be fitted after the V2 but is recommended for off load use only. A motor isolator is not necessary for the operation of the V2 soft-starter but site standards or electrical wiring regulations may require an isolator near the motor.

If a contactor is to be fitted, an output relay of the soft starter can energize it on receiving the start signal.

1. 6 CONTROL WIRING

NOTE: Wiring distance.

Control wiring shouldn't run in parallel with power input or output cables to the motor. Space at least 300mm away, and cross at right angles.

Control terminals:

The control terminals do need to be screened when running in parallel with power cables. (Terminals 7 to 13)

Start/Stop wiring:

Wiring options with push buttons or selector (switch) according to Selection 4.2.

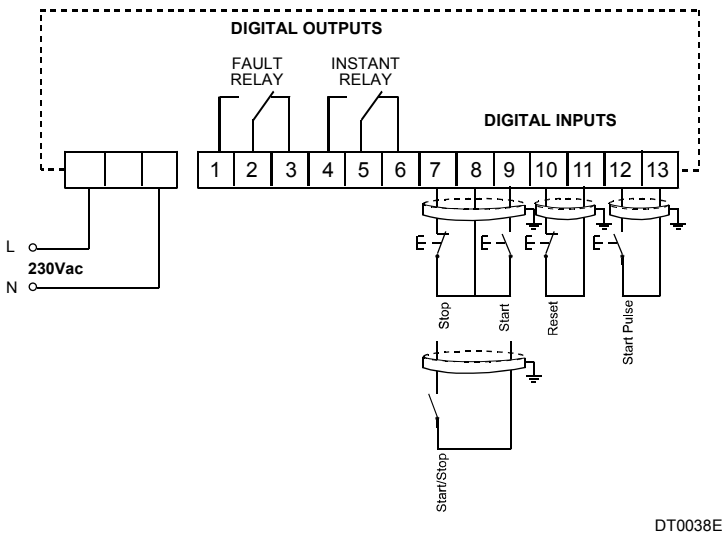


Fig. 3: V2 Control Wiring.

1. 7 CHECKS BEFORE COMMISSIONING

1. Check for foreign objects in the V2 cabinet that may be left from installation.
2. Check the control board main supply (T1-T2, 230Vca +/-10%) is connected.
3. Check the mains connection is connected to terminals L1, L2, L3 and the motor is connected to terminals U, V, W. Confirm the mains supply is within V2 specifications and motor nameplate matches to V2 rated nameplate.
4. Check control wiring and ensure the installation is electrically safe and it is safe to run the motor.

2. ELECTRICAL SPECIFICATIONS.

INPUT

Input voltage:	230-400V(~3 phases), $\pm 10\%$
Supply frequency:	47-62 Hz
Control Voltage:	230V +/-10%, others under demand

OUTPUT

Output voltage:	0 -100% Supply Voltage
Output frequency:	47-60 Hz
Efficiency (at full load):	> 99%

ENVIRONMENTAL CONDITIONS

Ambient temperature:	Operating: 0 to +40°C Storage: -10°C to +70°C
Altitude losses:	>1000m 1% each 100m, maximum 3000m
Humidity:	95% @ 40°C non-condensation
Protection degree:	IP00
Cooling:	Natural

PROTECTIONS

Input phase loss
Starting current limit
Rotor locked
Motor overload (thermal model)
Underload
Phase unbalance

V2 PROTECTIONS

General fault
V2 over temperature

SETTINGS

Initial torque
Acceleration ramp
Deceleration ramp
Overload: 0.8 to 1.2 In
Overload curve
Underload: 0.2 to 0.6 In
Underload curve
Current limit: 1 to 5 In

NOTE: V2 IP54 number of starts per hour is limited to 5

OUTPUT SIGNALS

2 changeover relays (5A 230Vac non inductive)
- **Fault:** It opens in case of any fault condition
- **Instantaneous:** Its position changes when starting and stopping

LED'S INDICATIONS

LED 1 Run
LED 2 Ready
LED 3 Overload warning / Underload fault
LED 4 Overload Fault
LED 5 Over temperature
LED 6 General fault

3. DIMENSIONS AND STANDARD RATINGS.

IP00 – IP54

V2009 – V2075

IP54

V2060B – V2075B

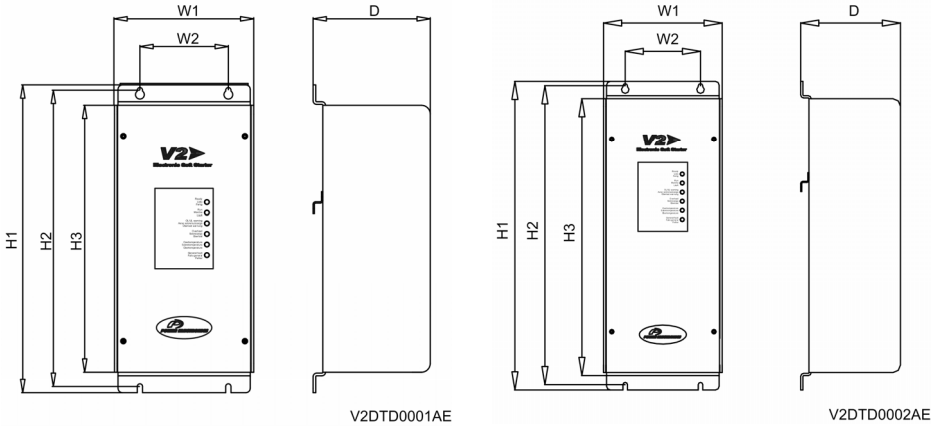


Fig. 4: V2 Dimensions.

REFERENCE	A	220V KW	380V KW	DIMENSIONS (mm)	IP PROTECTION
V2009	9	2.2	4	350x157x132	IP00
V2017	17	4	7,5	350x157x132	IP00
V2030	30	9	15	350x157x132	IP00
V2045	45	15	22	350x157x132	IP00
V2060*	60	18.5	30	350x157x132	IP00
V2075*	75	22	37	350x157x132	IP00
V2009B*	9	2.2	4	350x157x132	IP54
V2017B*	17	4	7,5	350x157x132	IP54
V2030B*	30	9	15	350x157x132	IP54
V2045B*	45	15	22	350x157x132	IP54
V2060B*	60	18.5	30	410x157x132	IP54
V2075B*	75	22	37	410x157x132	IP54

* All types signed with "*" do have an integrated BYPASS function. The Motor protection is operating all the time.

Table 1: V2 standard ratings.

4. CONTROL INPUTS.

The next figure provides the electrical specification of all V2 control inputs. Each input is individually described below.

4.1 CONTROL TERMINALS

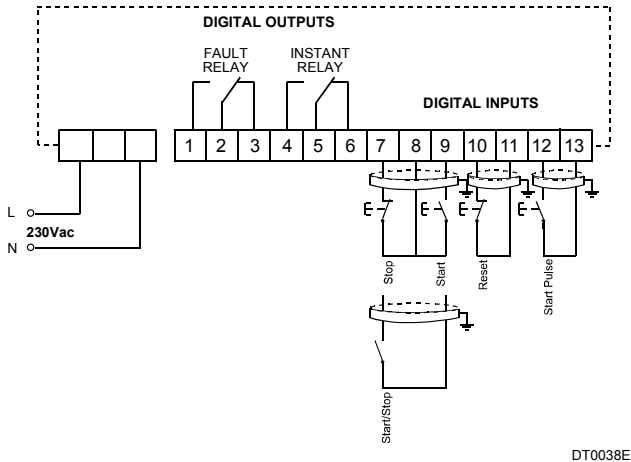


Fig. 5: V2 Control Terminals.

4.2 TERMINAL DESCRIPTIONS

Control voltage terminals.

Input terminal for control board voltage supply (230V +/-10%). Other voltage rates are also available on demand.

Between 1 and 2 there is an empty terminal with no use to secure electrical isolation.

Terminals 1-6 Output relays

Fault: It switches in case of any fault condition.

Instantaneous: It switches when starting/ stopping.

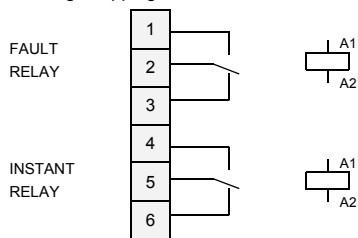
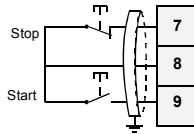


Fig. 6: Output relay.

NOTE: Maximum current per contact 5A at 230V.

Terminals 7-9: Inputs

Start/stop pushbutton configuration:

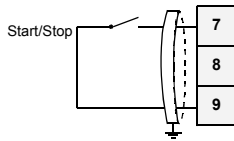


DT0049C

Fig. 7: 3-wire configuration.

NOTE: Terminals 10 - 11 only reset.

Start/stop switch configuration:



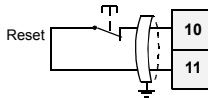
DT0050C

Fig. 8: Start/stop contact configuration.

NOTE: Terminals 10 - 11 stop/reset.

Terminals 10-11: Inputs

Remote reset configuration



DT0051C

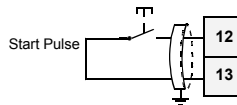
Fig. 9: Reset configuration.

NOTE: If reset is not using terminals 10 and 11 must be linked.

Terminals 12-13: Inputs

Start pulse pushbutton configuration.

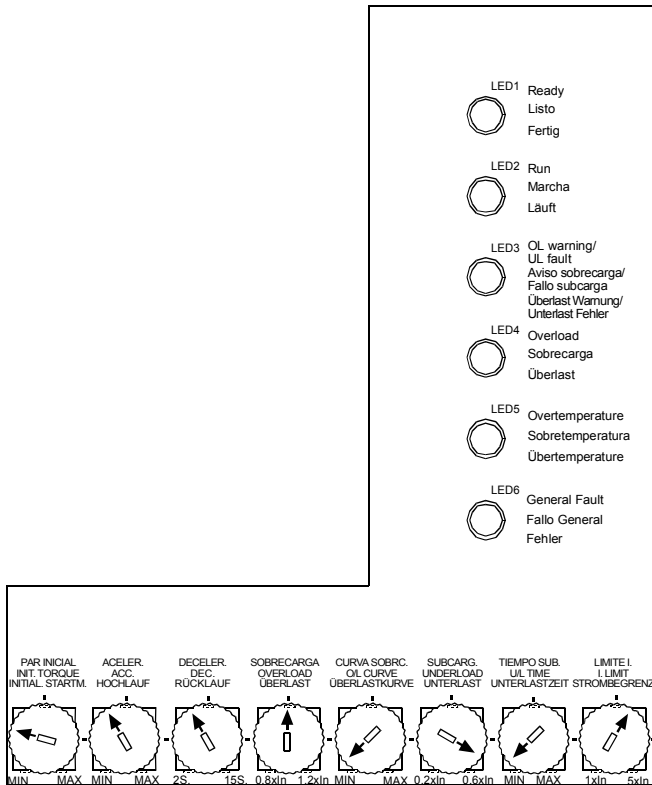
For variable load applications (different material mixing, etc.), where sometimes a higher torque is required, a torque pulse pushbutton inputs are provided.



DT0052C

Fig. 10: Start pulse configuration.

5. LEDS INDICATIONS.



DT0039E

Fig. 11: Led and potentiometer PCB

LED 1	READY STATUS
	It shows 230V is applied to control board.
LED 2	RUN STATUS
	It blinks during acceleration and deceleration ramp. It is steadily on after acceleration ramp when running at nominal current.
LED 3	OVERLOAD WARNING & UNDERLOAD FAULT
	Blinking light: UNDERLOAD FAULT
Description	Motor Underload.
Possible Cause	Motor working with no load.

Action Wrong setting of Underload conditions.
In case of pump application, check there is no air inside the pipe network and that the pump suction is not obstructed.
Increase Underload potentiometer.

Description **Steady light: OVERLOAD WARNING**
Motor overload warning before the soft-starter will trip on overload fault.

LED 4 OVERLOAD FAULT

Description Adjusted motor overload has reached an unacceptable level.

Possible Cause **Trip is produced during start:**
Motor overload due to mechanical or load problems and wrong settings.
Action Check mechanical conditions.
Check there is not a power input supply voltage drop lower than a 10%.
Increase acceleration ramp (high inertia applications).
Increase Overload curve potentiometer.
Increase current limit.

Possible Cause **Trip is produced at nominal speed:**
Wrong Overload potentiometer setting or load conditions change.
Action Check working conditions of motor.
Check load.
Increases overload potentiometer.

LED 5 V2 OVER TEMPERATURE

Description Heat sink too hot (>85°C).

Sense level (> 85°C).

Possible Cause Insufficient cooling.
Fan failure.

Action Ambient temperature too high, >40°C for IP00 model and >50°C for IP54 model.
The actual current is higher than the nominal.
Check the ambient temperature during normal operation doesn't exceed 40°C for IP00 model and 50°C for IP54.
Check that actual motor current is the same or smaller than the V2 nominal current.

LED 6 GENERAL FAULT

Description Phase or PCB fault.

Possible Cause Phase loss.
Phase unbalance.
Thyristor fault.

Action Check supply, all cables, motor.
If the problem persists, call to **POWER ELECTRONICS** or an authorized distributor.

6. POWER PCB JUMPER CONFIGURATION.

The Soft-starter could be damaged by setting the jumpers during operation. For safety reasons, the jumpers are located underneath the potentiometer and LED PCB. This PCB must be removed only when control and power supply is off.

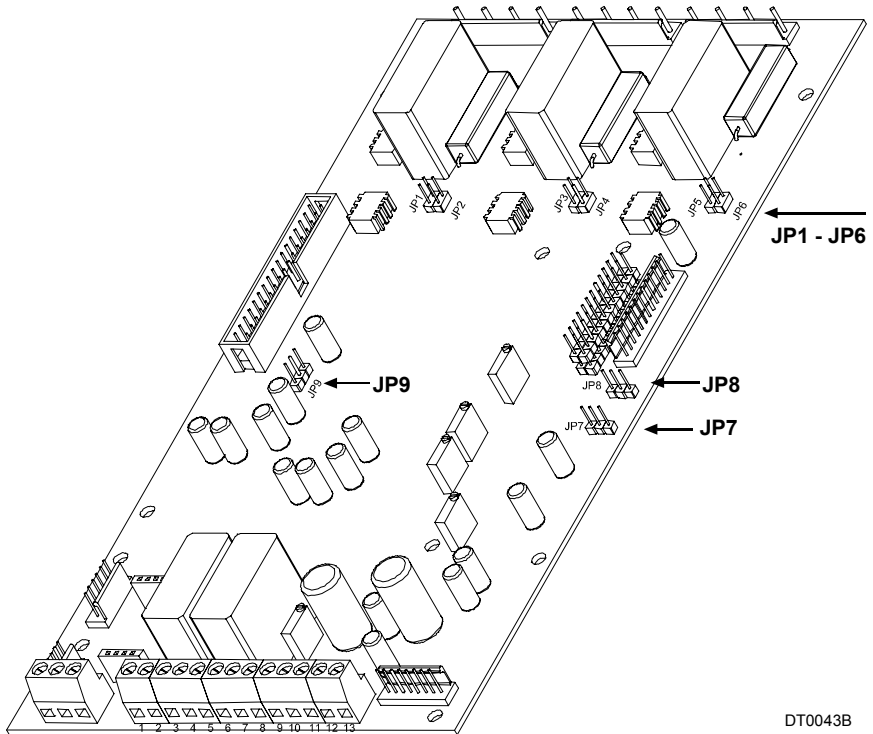


Fig. 12: Power PCB Jumper drawing.

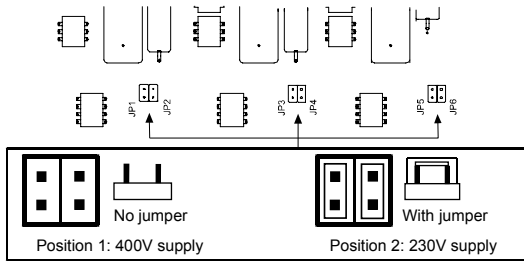
JUMPER'S FUNCTION

JP1-JP6

Description
Default Value
Function
Adjust

MOTOR SUPPLY VOLTAGE

Rated (Nameplate) Motor Voltage
400V (No jumper required)
Adjust nominal motor voltage.
Position 1: 400V
Position 2: 230V (to introduce 6 jumpers according to drawing).
Add or remove 6 jumpers (2 per phase) according to input voltage at the soft starter input. Make sure this value is related to rated (Nameplate) motor voltage.



DT0047D

Fig. 13: JP1-JP6: Motor supply voltage jumper selection.

JP7

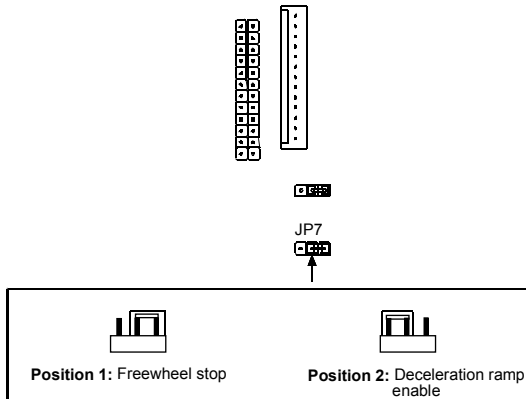
Description
Default value
Function

FREEWHEEL STOP

Enable/disable deceleration ramp.
Position 1: Freewheel stop
Set the type of stop required. The stop could be controlled through a ramp down voltage or uncontrolled where the stop depends on the load torque (freewheel stop).

Adjust

Position 1(default): Freewheel stop. Deceleration ramp disabled.
Position 2: Deceleration ramp is enabled.



DT0044F

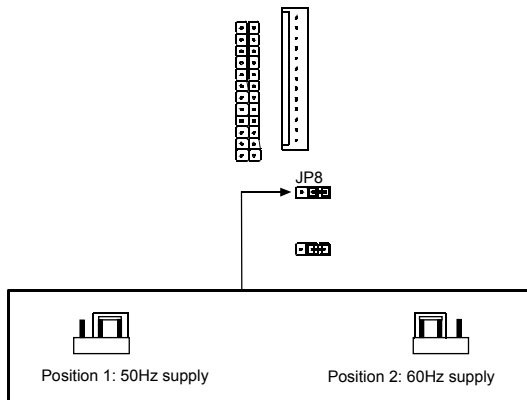
Fig. 14: JP7: Freewheel stop selection jumper.

JP8

Description
Default value
Function
Adjust

SUPPLY FREQUENCY

Supply frequency
Position 1: 50Hz
Set the mains frequency.
Where the mains frequency is known as 50Hz, leave as default. Where the mains frequency is 60Hz set jumper to Position 2.



DT0046D

Fig. 15: JP8: Supply frequency selection jumper.

JP9

Description
 Default Value
 Function
 Adjust

UNDERLOAD PROTECTION

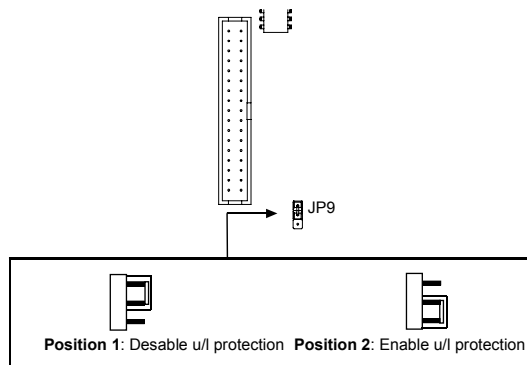
Underload current.

Position 1: Underload protection disabled.

Set underload protection.

Position 1 (default): Underload protection is disabled.

Position 2: Underload protection is enabled.



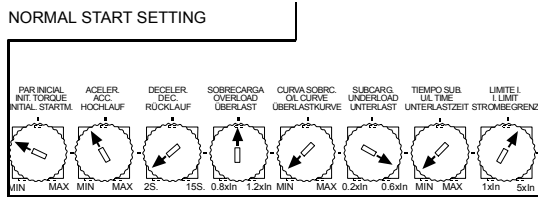
DT0057D

Fig. 16: JP9: Underload current selection jumper.

7. POTENTIOMETER COMMISSIONING

The commissioning process described below is only an orientating guide. Each application has its own load characteristics and regulation may change from one to another. It is recommended to carry out several settings until optimum result is achieved.

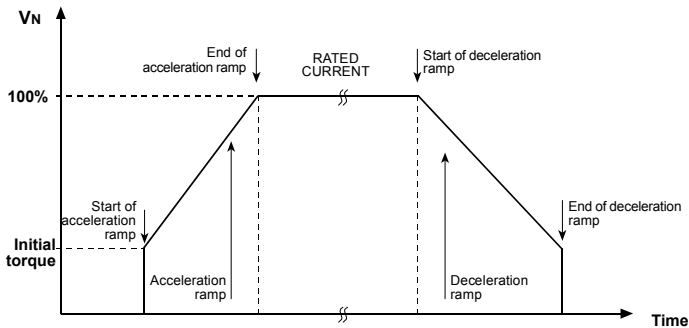
NOTE: Potentiometers spinning angle is ¼ of turn approximately. To spin further this range can damage the potentiometer.



DT0040E

Fig. 17: Normal start potentiometer configuration.

POT 1	INITIAL TORQUE
Description	Initial Torque
Range	30 to 99%
Unit	% of rated Motor torque
Function	Establish the initial torque to be applied to the motor at the beginning of the ramp up.
Adjust	It is recommended to begin with a low initial torque value, normally default. Observe motor rotation immediately after start command. If the motor doesn't spin, machine torque requirement may be bigger, and it should be necessary to increase it until the motor spins normally. If very high current is noticed at the very beginning of starting process, it could be due to a too high initial torque, it must be decreased until a proper value is achieved.
Applications	For submerged pumps, generally it's needed a torque between 40% and 45%. For hard applications like mills or crushers, the required torque is normally between 40% and 50%.



DT0042B

Fig.18: Initial torque.

POT2	ACCELERATION TIME
Description	Acceleration Time
Range	0 to 15
Unit	Seconds
Function	Establish the time motor will go from 0 to nominal speed; if no current limit occurs which will cause a longer acceleration time.
Adjust	Depending on the application, time will be different in order to make sure no current limit will take place during acceleration, in such a case acceleration time or acceleration current limit increase will be necessary.
Applications	In submerged pumps, the usual acceleration time is between 4 and 8 seconds. NOTE: These values are generic adjustments. Each application requires an individualized adjust to optimize the correct performance.
POT3	DECELERATION TIME
Description	Deceleration Time.
Range	0 to 45
Unit	Seconds
Function	Establish the time for the controlled stop.
Adjust	Begin with a short time (10 or 15 seconds) and increase it until desired stop is achieved.
POT4	OVERLOAD
Description	Overload motor current
Range	0.8 to 1.2xInom, where Inom equal nominal current of the soft starter.
Unit	Amps
Function	This parameter sets the overload motor current protection at nominal conditions. The time for this protection to trip depends on the actual current drawn by the motor and overload curve Potentiometer.
Adjust	Look at the rated (nameplate) motor current and set this value. To do so, turn overload potentiometer from right to left when motor is already working until overload warning led turns on steadily. Then turn it clockwise until this led turns off. In this position overload, protection will be exactly motor operating current.
POT5	OVERLOAD CURVE
Description	Overload curve.
Range	Min.-Max. Min: Fastest curve. Max: Slowest curve.
Function	The overload curve determines the response time under overloads conditions. There is a nonlinear relation between the overload potentiometer and this potentiometer in order to set the time required for tripping on OVERLOAD. If Min. setting is made then the response time since an overload condition has occurred is almost immediate, but if it is Max. then takes more time until the soft starter trips on OVERLOAD.
Adjust	If you need a fast response under overload conditions, please select Min. If you need a slow response, then select Max. For normal operation, leave this value as medium setting.

This drawing shows response time under different overload conditions:

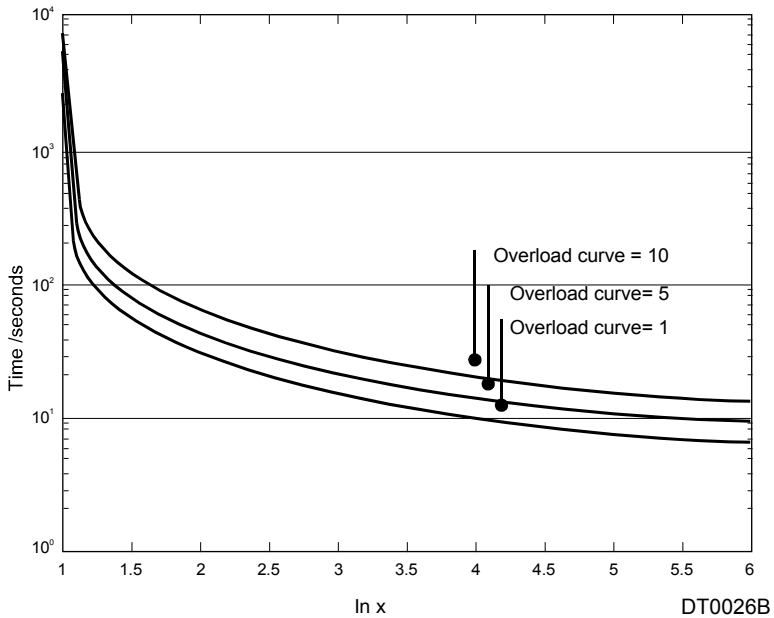


Fig. 19: Overload curve.

POT6	UNDERLOAD
Description	Underload current.
Range	0,2 to 0.6 x In, where In is the nominal current of the soft starter.
Unit	Amps
Function	Underload current determines the current below a motor must not work.
Adjust	Usually leave as 60% of the nominal current of the motor. Minimum Underload setting is 0.2x nominal current, medium is 0.4x nominal current, and maximum position is 0.6x nominal current.
Applications	This protection helps to detect mechanical problems as broken shafts, belts, ... when this occurs, the motor is running on no load conditions. Working with pumps this protection help us to detect no load pump operation, due to a lack of water or pump input pipe water leakage.
POT7	UNDERLOAD CURVE
Description	Underload curve.
Range	Min.-Max. Min: Fastest curve. Max: Slowest curve.
Function	This parameter sets the maximum operation time under underload conditions before tripping. See overload POT5.
Adjust	Depends on the application, but should be set to trip as soon as a condition occurs.
Applications	Pumps, fans.

POT8

Description

Range

Unit

Function

Adjust

CURRENT LIMIT

Current limit at acceleration/deceleration

0 a 5x nominal current of the soft starter.

Amps

Maximum current a motor can draw during the acceleration/deceleration.

Set the maximum current a motor can draw during the acceleration/deceleration of the motor. Typically set to 2.5~3x nominal current of the motor.

Avoid using values below 2 times the motor's rated current as resulting motor torque is generally insufficient to successfully start the load below this level; as well as the soft starter would trip on Overload.

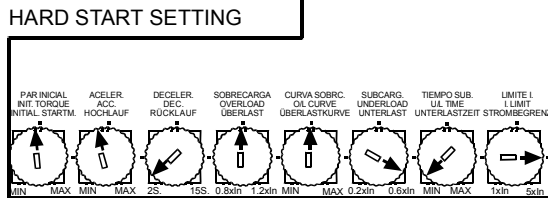


Fig. 20: Hard start potentiometer configuration.

8. APPLICATIONS.

HARD START POTENTIOMETER CONFIGURATION.

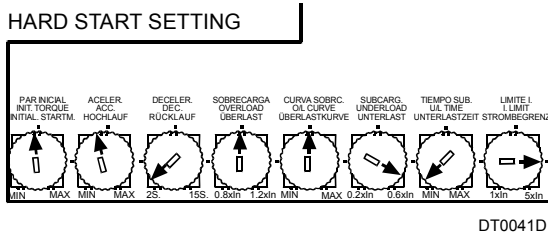


Fig. 21: Hard start potentiometer configuration.

CONTROL TERMINALS

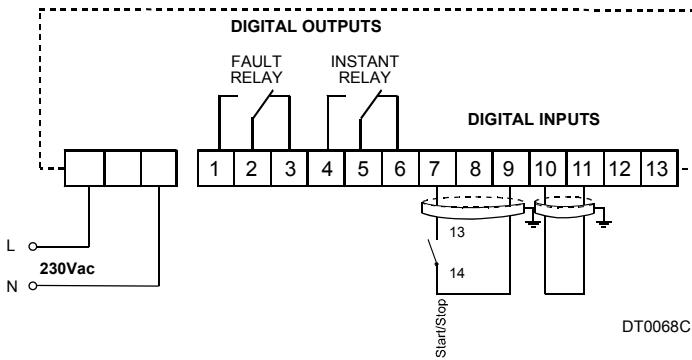


Fig. 22: V2 Control Terminals.

POWER WIRING

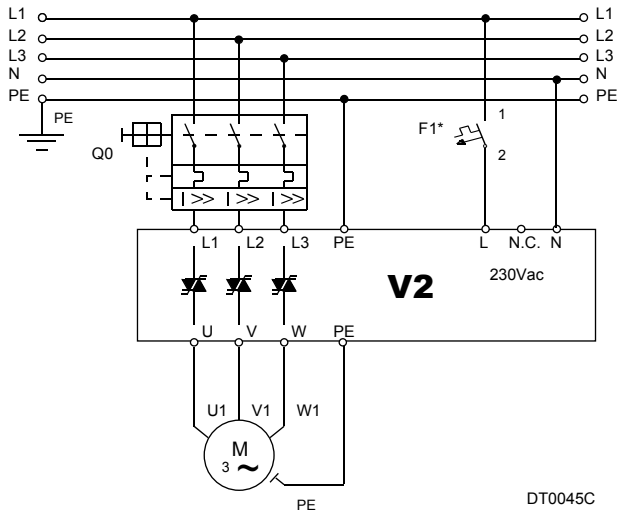
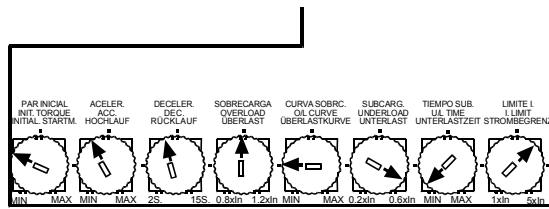


Fig. 23: V2 Power wiring configuration.

Note: Minimum recommended protection 1A for F1.

FANS AND PUMPS POTENTIOMETER CONFIGURATION.



DT0077A

Fig. 24: Fans and Pumps potentiometer configuration.

NOTE: For pumping systems please check fig. 14 and 16 to configure Jumpers 7 and 9 as deceleration ramp and underload activation.

9. DECLARATION OF CONFORMITY CE

DECLARATION OF CONFORMITY CE

Manufacturer: Power Electronics España, S.L.
Parque Tecnológico
C/ Leonardo da Vinci, 24-26
46980 Paterna -Valencia -
España

Authorized representative: Power Electronics España, S.L.
Parque Tecnológico
C/ Leonardo da Vinci, 24-26
46980 Paterna -Valencia -
España

Model Name: V2

Description: Electronic soft starters

Council Directive(s) to which conformity is declared: LVD 72/23/EEC, EMC 89/336/EEC

Standards applied to comply with the Directives:

ELECTRICAL SECURITY STANDARDS

EN 60947-4-2:98 Low voltage switchgear and control gear.
Part 4-2: Contactors and motor starters - AC semiconductor motor
controller and starters.

EN 50178:98 Electronic equipment for use in power installations.

EN 60204-1:1999 Safety of machinery.
Electrical equipment for machines.
Part 1: General rules.

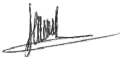
ELECTROMAGNETIC COMPATIBILITY STANDARDS

UNE-EN 60947-4-2:98 Electromagnetic Compatibility.
Generic emission standard.
Part 2 : Industrial environment.

UNE-EN 60947-4-2:98 Electromagnetic Compatibility.
Generic immunity standard.
Part 2 : Industrial environment.

UNE-EN 50081-2:94 Electromagnetic Compatibility.
Generic emission standard.
Part 2 : Industrial environment.

Manufacturer authorized signature:



Name: David Salvo
Title: Executive Manager
Date of issue: 1. September 2002
Place of issue: Valencia, Spain

